



O P . / -

KN AN= HA ARE A	L= G=CEJC PULA	OP= J =N L= GMPU	L= G=CA I =NGEJC	LEJO	L= G=CA AO NÆPKJ	I OH
--------------------	-------------------	---------------------	---------------------	------	---------------------	------

J=I A	LEJ	LEJ BQJ PÆJ

L=N=I APAN	ABEJ PÆJ	I EJ	I =T	QJÆ

L=N=I APAN	ABEJ PÆJ	I EJ	I =T	QJÆ

O P . / -

OUI KH

L=N=I APAN

PAOP KJ PEKJ

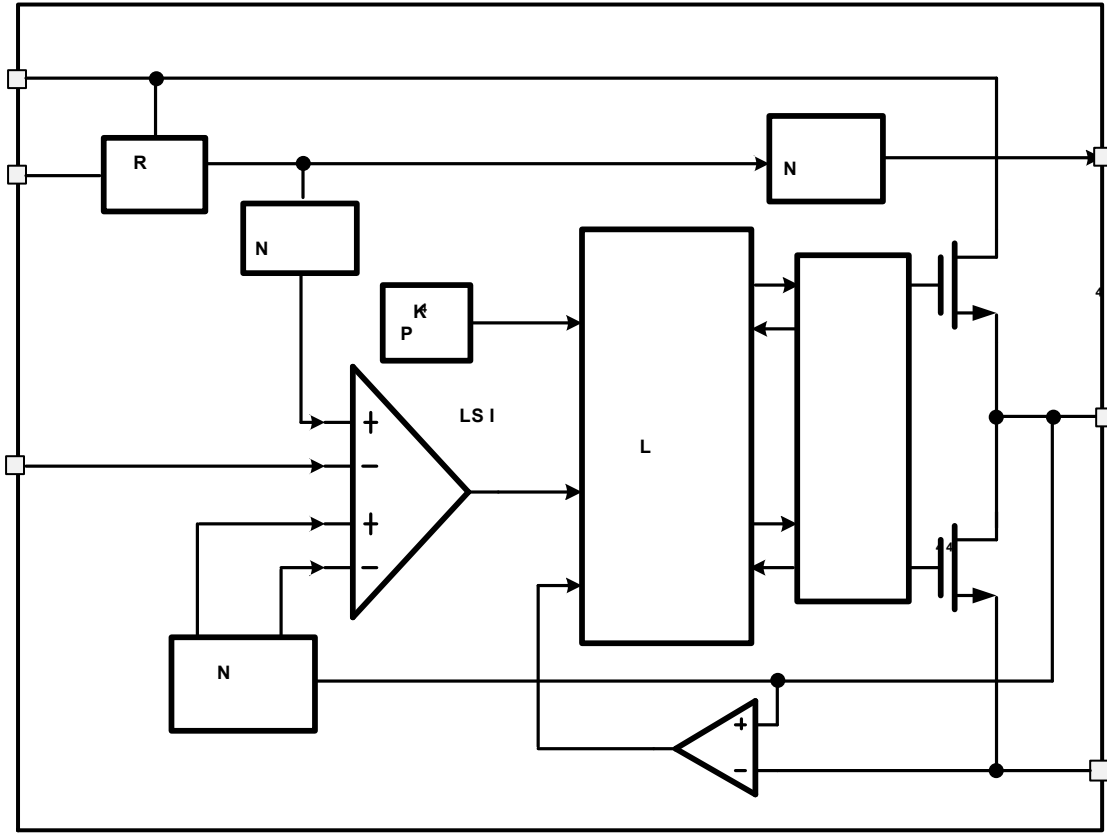
I EJ PUL I =T

QJP

K

B - O P. . / - A (R 9-.R

B . R R REJ



= K)

4

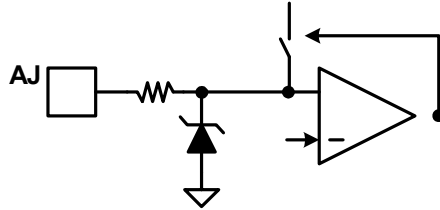
B L S I BLS I

REJ L 4 4

Q R H QRHK

A O 4

4



B 3 = REJ QRHK

$$3 = \frac{(\text{---}) -}{1(1 - \text{---}) + 2}$$

4

$$4 = \frac{3 \times}{- + 3(1 + 2)}$$

K L K L D I

R N

O P. / -

O P . / -

K B N O

$$1 = \frac{(\quad - \quad) \times 2}{\quad} \quad 4$$

K R R N- P . N O
N. H D - B . B / B

4

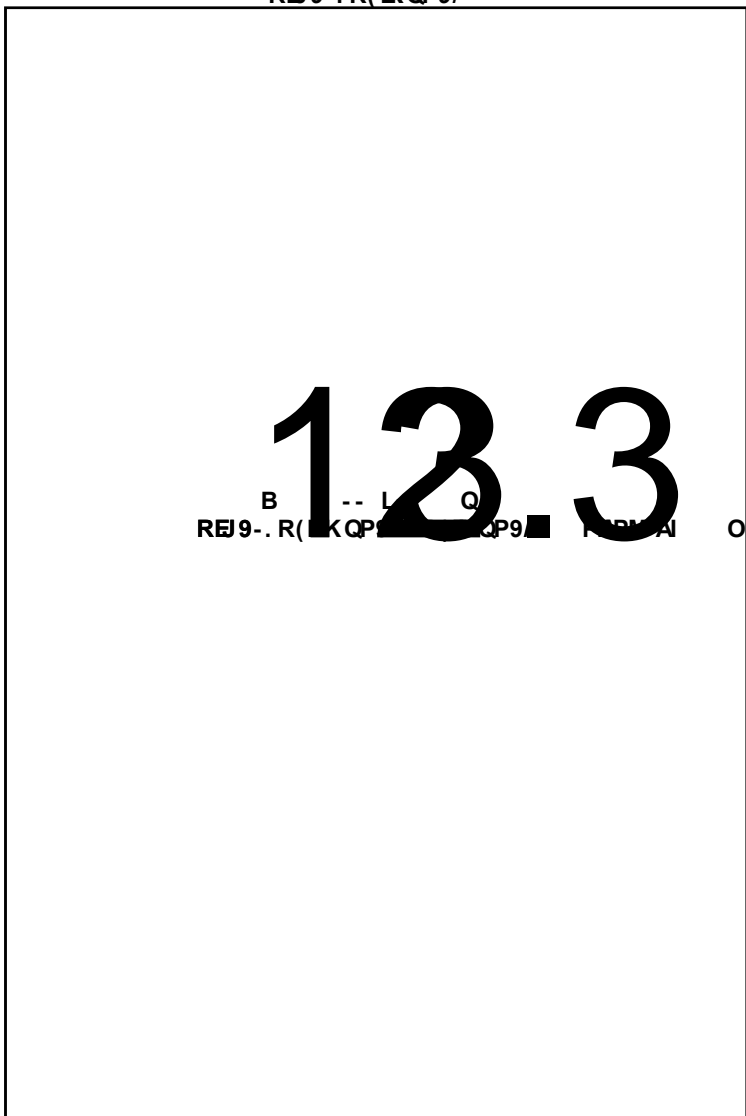
4

= S

4

B 5 OS REJ9-. R(KQP9/ = K N

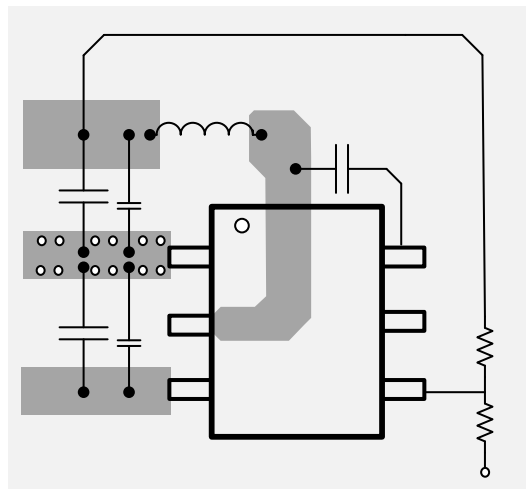
B -, OS S REJ9-. R(KQP9-, = K N



B -- L Q REJ9-. R(KQP9/ = KQP9/ = K N O

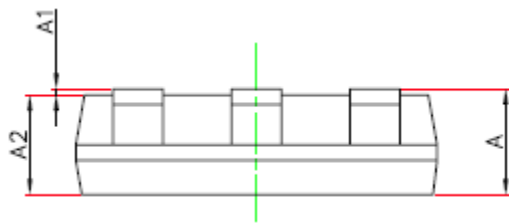
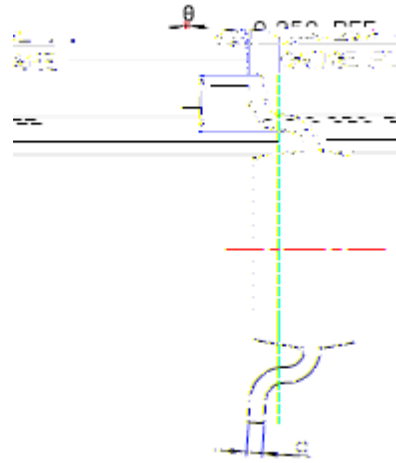
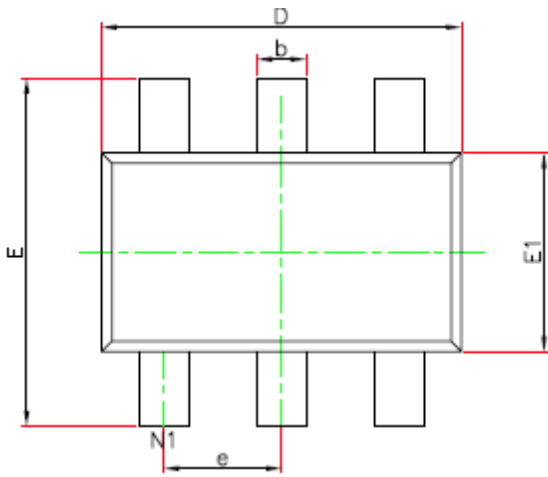
H C

4



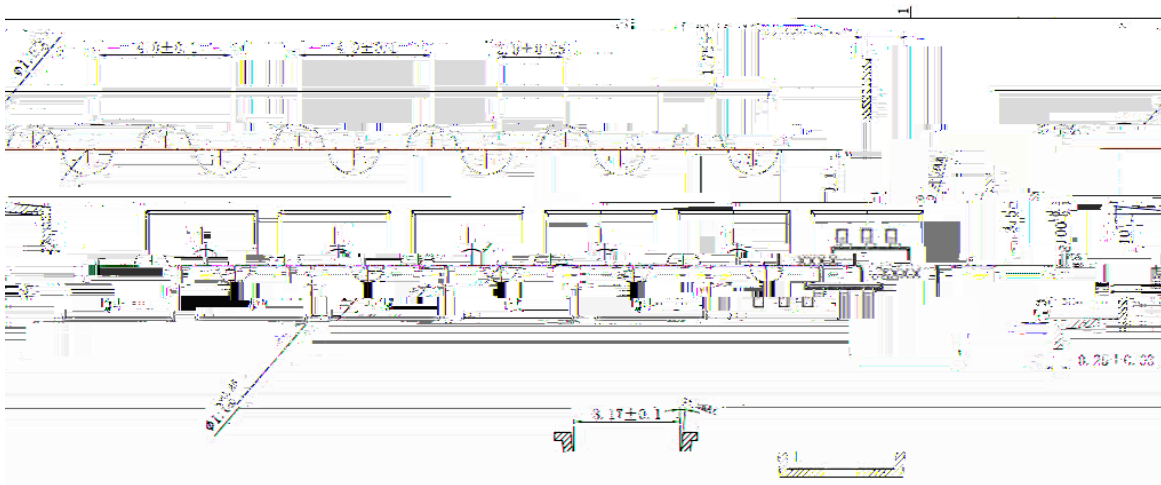
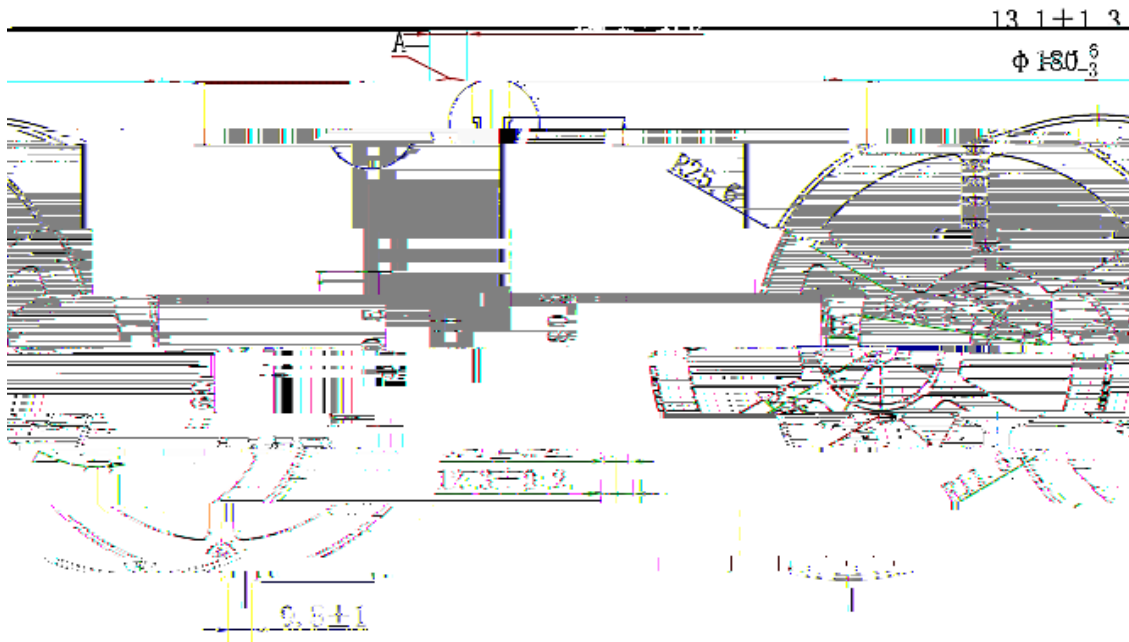
B -1 L H A

4



QUI	KH	Q 6I		
		I EJ	PUL	I = T

JKPA6



B

