



# 6 & 7

---

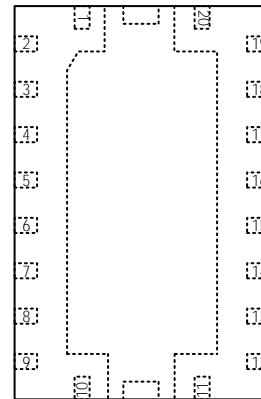
## REVISION HISTORY

## DEVICE ORDER INFORMATION

25'(5\$%/( '(9,&(	3\$&.\$*,1* 7<3(	67\$1'\$5' 3\$&.\$47<	3\$&.\$*( 0\$5.,1*	3,16	3\$&.\$*( '(6&5,37,21
----------------------	---------------------	--------------------------	-----------------------	------	--------------------------

## ABSOLUTE MAXIMUM RATINGS


## PIN CONFIGURATION



---

PIN FUNCTIONS

---

1 \$ 0 (

1 2

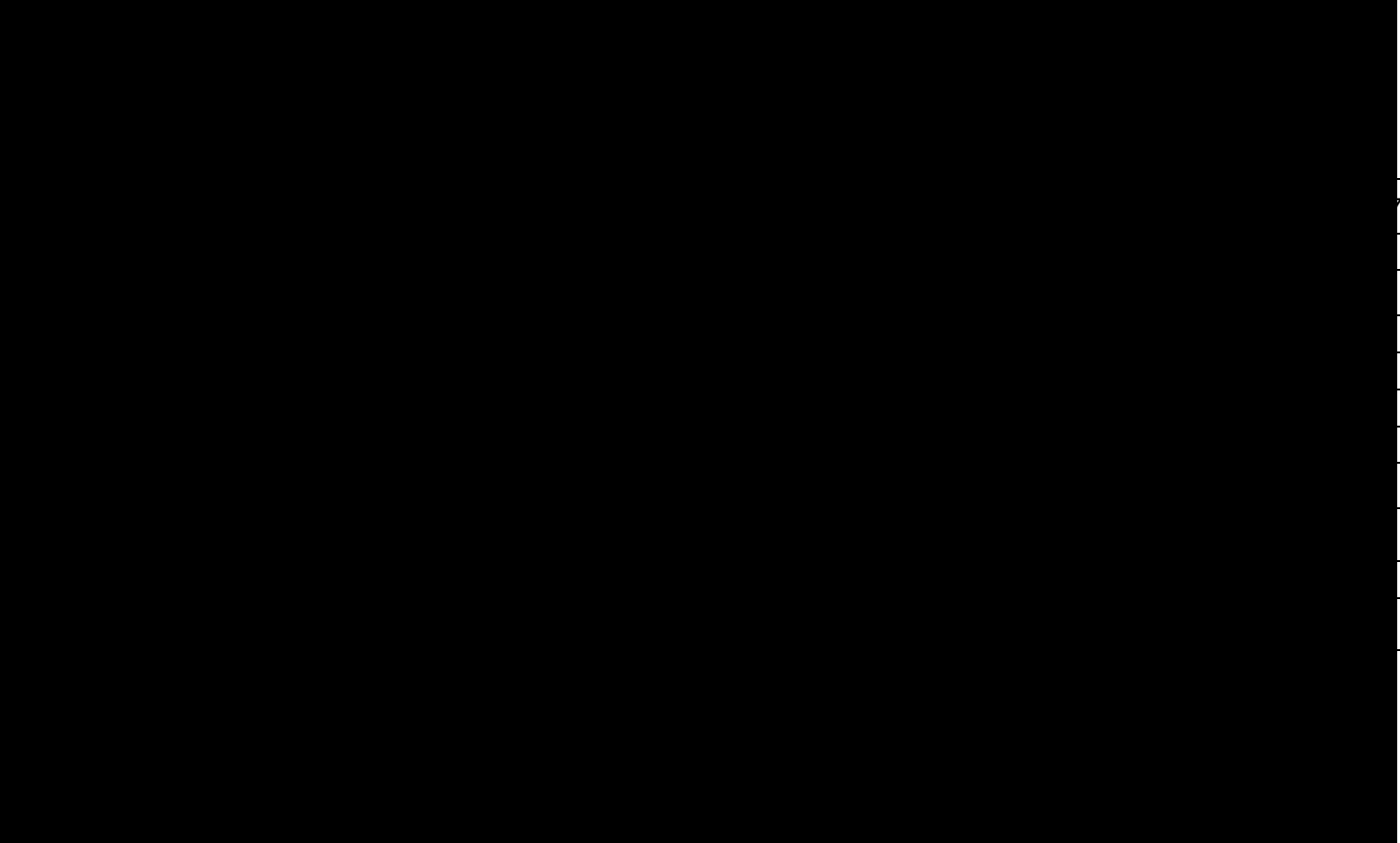
, 2

3 , 1 ) 8 1 & 7 , 2 1











---

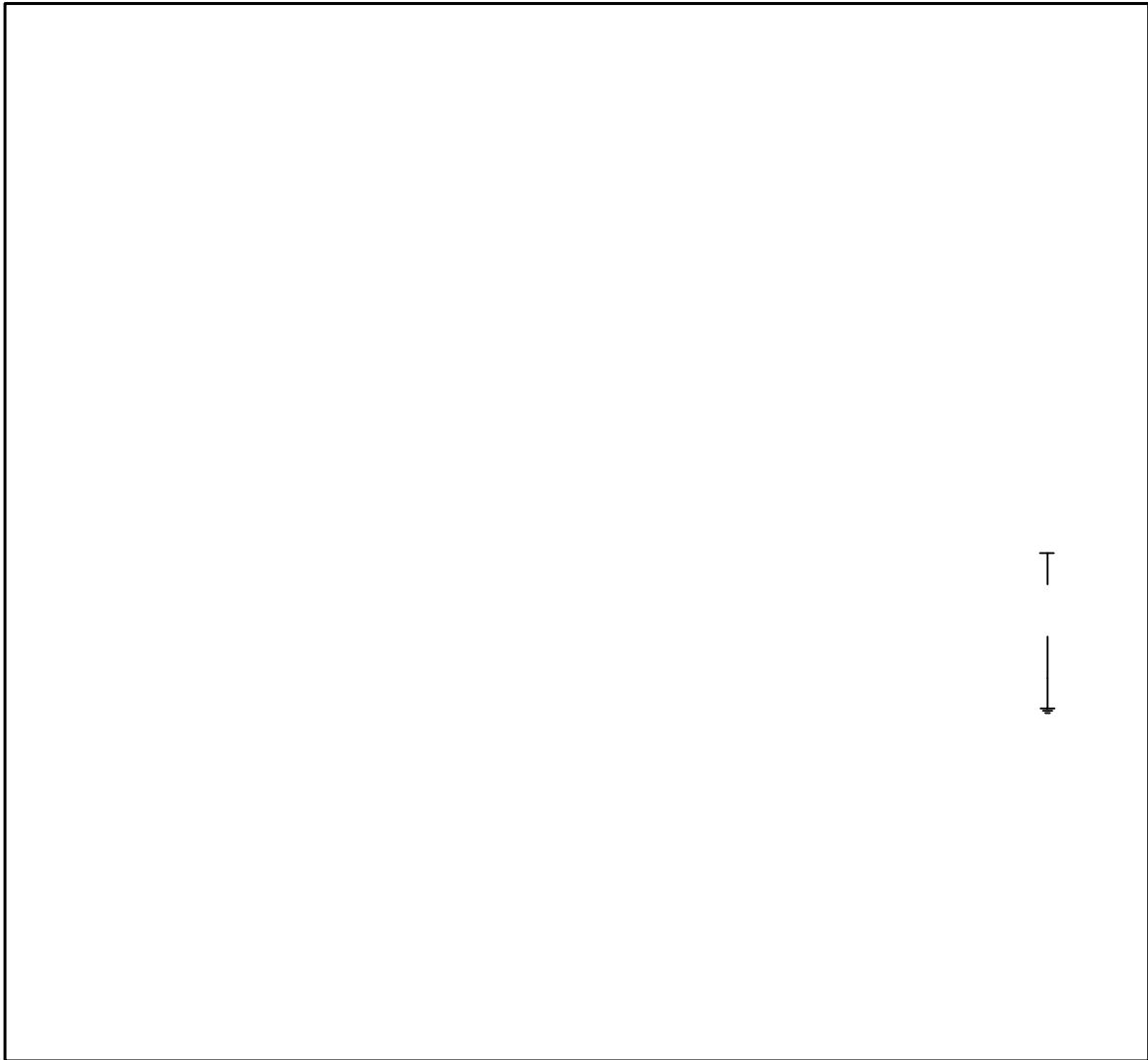
6 <0% 2 /	3 \$ 5 \$ 0 ( 7 ( 5	7 ( 6 7 & 2 1 ' , 7 , 2 1	0 , 1 7 < 3 0 \$ ;	8 1 , 7

TYPICAL CHARACTERISTICS

TYPICAL CHARACTERISTICS



FUNCTIONAL BLOCK DIAGRAM



6 & 7

---

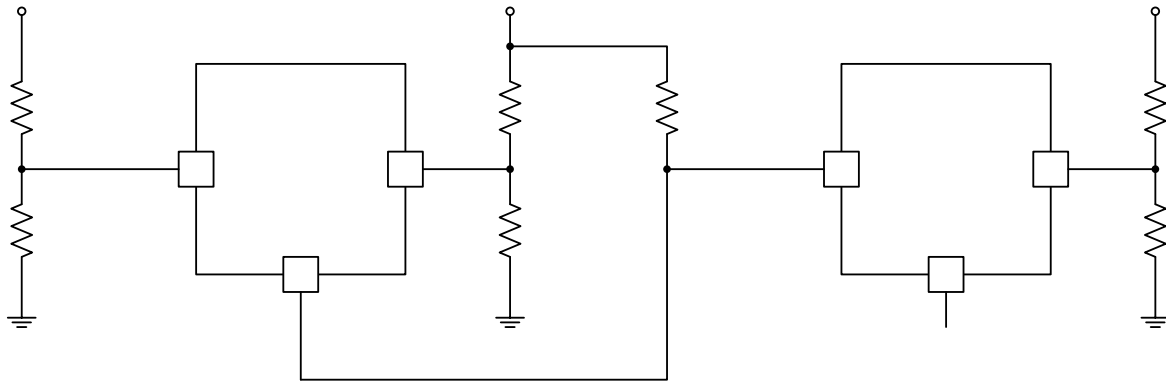
OPERATION

2YHUYLHZ









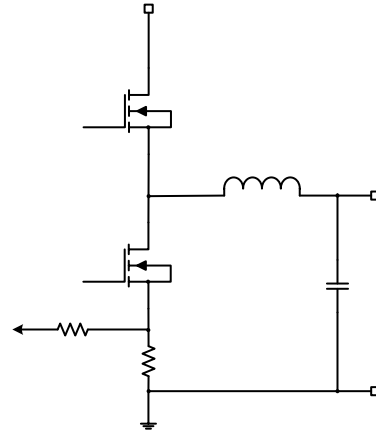
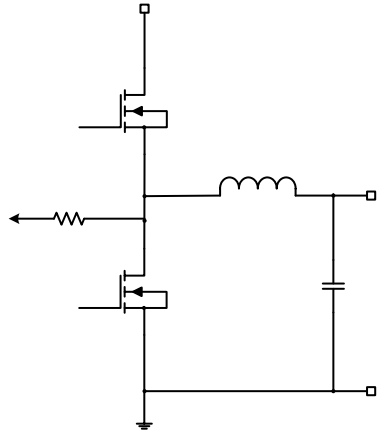
6ZLWFKLQJ )UBQGHQFRFN 6\QFKURQLJDWLRQ

)UHTXHQF\ 6SUHDG 6SHFWUXP

9ROWDJH 0RGH &RQWURO

\*DWH 'ULYHUV

&XUUHQW 6HQVLQJ DQG 2YHUFXUUHQW 3URWHFWLRQ

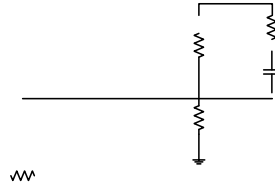


\_\_\_\_\_

'HYLFH )XQFWLRQDO 0RGHV

# 6 & 7

& R Q W O R R S P S H Q V D W L R Q



	$\left( \right) \frac{\left( \right)}{\left( \right)} \frac{\left( \right)}{\left( \right)} \frac{\left( \right)}{\left( \right)} \left( \right) \left( \right)$



# 6 & 7

---

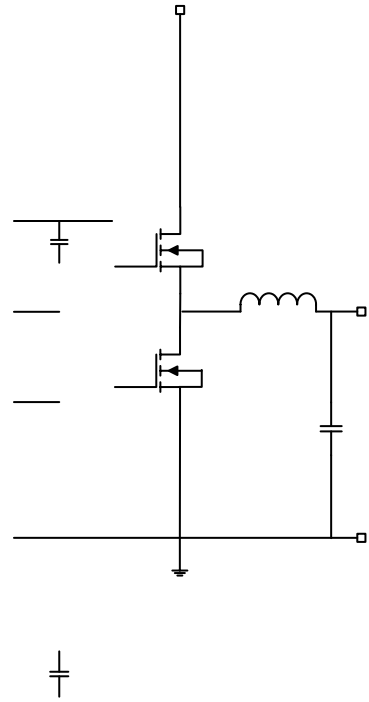
$\sqrt{\quad}$	$\underline{\quad 1 \quad}$	$1 \quad \underline{\quad 1 \quad}$ $\quad \quad 1 \quad 2$	$\underline{\quad}$
		$2 \quad \underline{\quad 1 \quad}$ $\quad \quad 2 \quad 3$	$2 \quad \underline{\quad 1 \quad}$ $\quad \quad 1 \quad 2) \quad 3$

&] . &R &] &R &S &6: &S &(65

$^2 \frac{\quad \quad \quad 1}{\quad \quad \quad / \quad \quad \quad 1}$	$^1 \quad / \quad 2 \quad ^1 \quad )$
$^1 \frac{\quad \quad \quad 1}{\quad \quad \quad 0 \quad \quad 1}$	$^2 \frac{\quad \quad \quad 1}{\quad \quad \quad 1 \quad \quad 1}$
$^2 \frac{\quad \quad \quad 0}{\quad \quad \quad \quad \quad 0} \quad \quad 1$	$^3 \frac{\quad \quad \quad 1}{\quad \quad \quad \quad \quad 2}$

APPLICATION INFORMATION

7\SLFDO \$SSOLF DWLRQ



'HVLJQ 3DUDPHWHUV

'HVLJQ 3DUDPHWHUV	([DPSOH 9DOXH

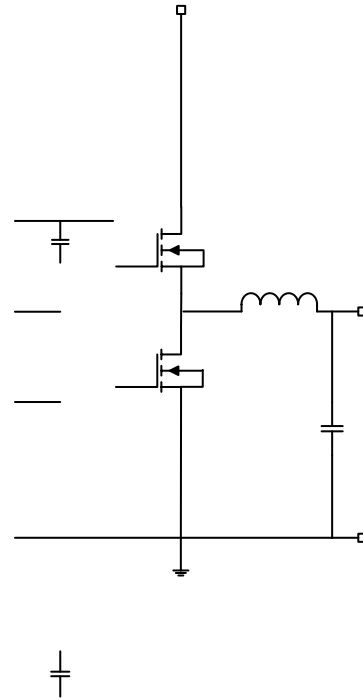


6 & 7

---

\$SSOLF DWLRQ : DR Q WRLLQPMHG

7\SLFDO \$SSOLFOWLRQ



)LJXUH \$SSOLFOWLRQ 69 KWHPD9WLF\$ %XFN 5HJXODWRU DW N+]

'HVLJQ 3DUDPHWHUV

'HVLJQ 3DUDPHWHUV	([DPSOH 9DOXH





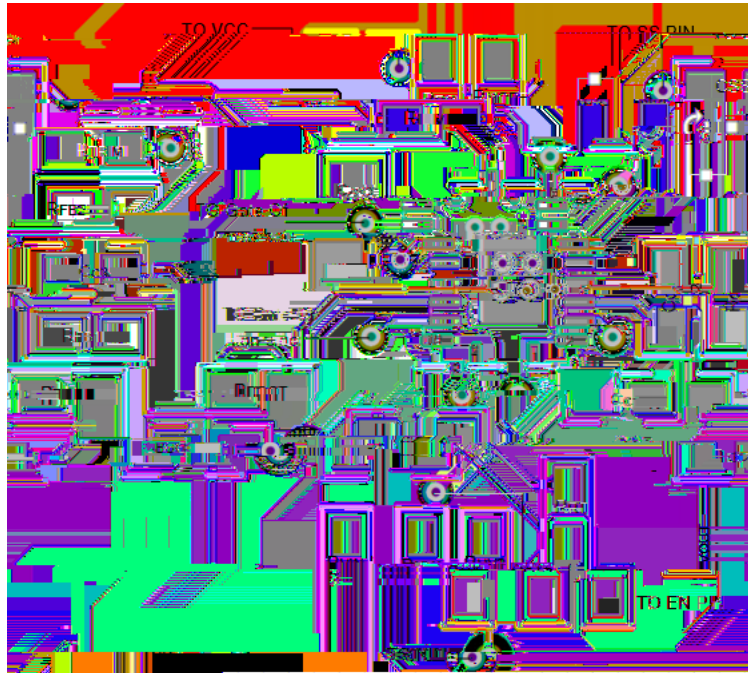
# 6 & 7

---

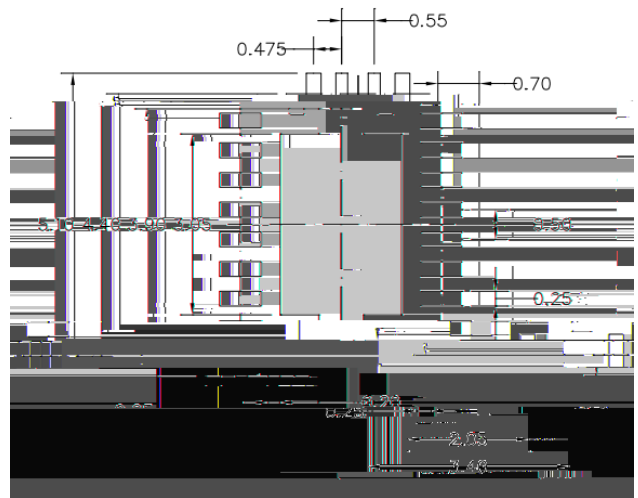
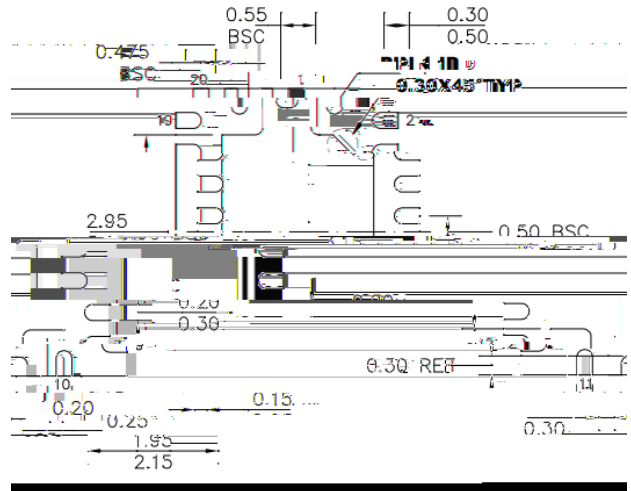
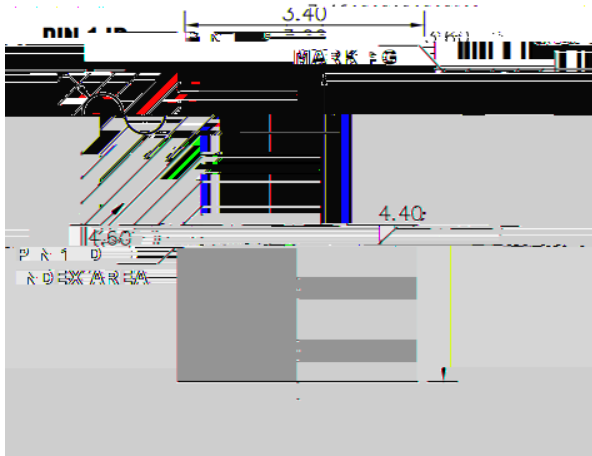
7DEOH&RPSHQVDWLRQ 9DOXH V IRU 7\SLFDO 2XWSXW 9ROWD.JH &DSDFLW

Vout	L	COU	R <sub>FB</sub>	R <sub>FB</sub>	R <sub>c</sub>	C <sub>c</sub>	C <sub>c</sub>	R <sub>c</sub>	C <sub>c</sub>
V	. uH	* uF	. K	. K	. K	nF	pF		. nF
V	. uH	* uF	K	. K	K	. nF	pF		. nF
V	. uH	* uF	. K	. K	. K	. nF	pF		pF

/D\RXW \*XLGHOLQH



PACKAGE INFORMATION



127(

TAPE AND REEL INFORMATION



--	--	--	--	--	--